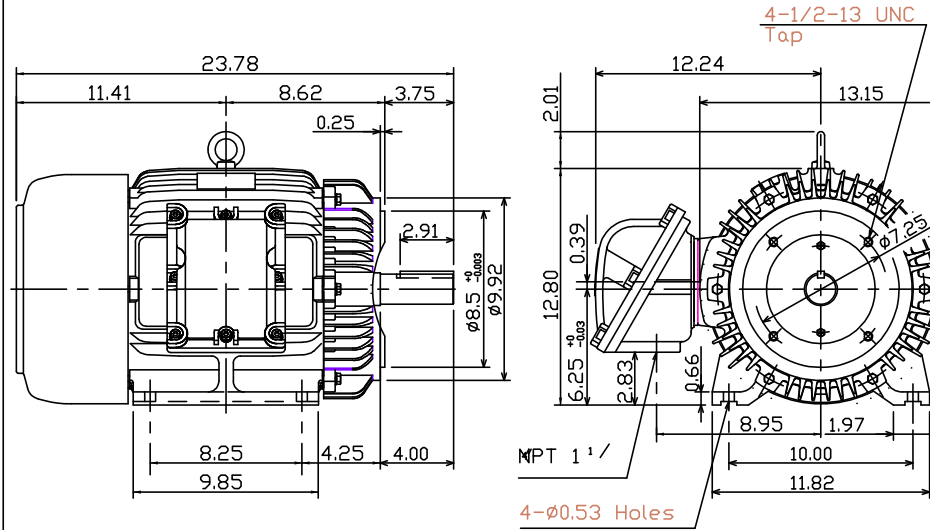


OUTLINE DIMENSIONS
3-PHASE INDUCTION MOTOR

MOTOR TYPE:
FRAME NO. 254TC

Totally Enclosed Fan-Cooled Type. Squirrel-cage Rotor.



Note:
1. Explosion proof:
Class I Group C,D and
Class II Group E,F,G.

**BROOK
CROMPTON**

DWG NO.